



KONTROL 40

Multiple enclosure

The Kontrol 40 range is designed to ensure maximum safety, user-friendliness and ease of installation for the end user; it is made so that the maintenance of the electronic circuits is as simple as possible without having to reconfigure all the electrical connections. The instruments are available in four different formats:

- For mounting on DIN BAR - IP40
- 48 x 96 mm format for panel mounting - IP40
- 96 x 96 mm format for panel mounting - Front IP65 / Rear IP20
- 144 x 144 mm format in airtight box for wall mounting - IP65

Analogue & Relay Outputs

All models have two normally-open relays that can be managed and activated when two independent thresholds are exceeded, as well as a programmable 4 - 20 mA analogue output.

Intuitive menu

A self-explanatory and easy-to-read menu guides the operator step by step in configuring the device, making programming quick and simple.

Statistical data

A statistical menu displays the number of activations performed by the two relays, as well as the number of alarm conditions encountered and the number of pause signals received (input reed signal).

Multi-method relay activation

A guided calibration routine helps the user in the maintenance of the probe and in setting the operating parameters

Control panel

The advanced menu allows the user to carry out self-diagnostics and display the status of relays, 4 - 20 mA output, calibration parameters and firmware version.

APPLICATIONS

- Waste water
 - Legionella disinfection
 - Sea water
 - Crate wash
 - CIP
 - Dioxide station
 - Swimming pool
- Drinking water
 - Cooling towers
 - Boilers
 - Reverse osmosis
 - Galvanic process
 - Irrigation

PRODUCTS KEY

K	KONTROL INSTRUMENT							
	040	Kontrol 40 Series						
		MISURES						
		CD	Conductivity					
		PR	pH/Rx					
		ENCLOSURE						
		D	Box type DIN - RAIL					
		Q	Box type 48x96 (Panel)					
		P	Box type 96X96 (Panel IP 65 only Frontal Panel)					
		W	Box type 144X144 (Wall IP65)					
		POWER SUPPLY						
		H	24/115/230 VAC 50/60 Hz					
			0	FREE/CUSTOM				
				0	FREE/CUSTOM			
					0	FREE/CUSTOM		
						0	FREE/CUSTOM	
K	040	CD	D	H	0	0	0	0

PRODUCT LINE

	Ph/ORP	conductivity
K040CD		•
K040PR	•	

MEASURE RANGE

Measure	Description	Precision	Resolution
pH	0 ÷ 14,00 pH	2% FS	0.01 Ph
ORP	±1500 mV	3% FS	1 mV
Conductivity	0÷200 mS	1% FS	
Temperature	0÷100 °C	PT100: ± 0.5°C (±0,9°F) CD version / PT100: ± 0.8°C (±1,4°F) PR version	±1°C (°F)

TECHNICAL CHARACTERISTICS

Graphic display and Keypad

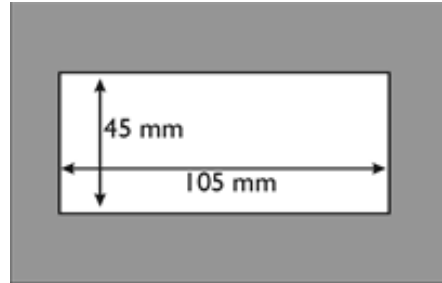
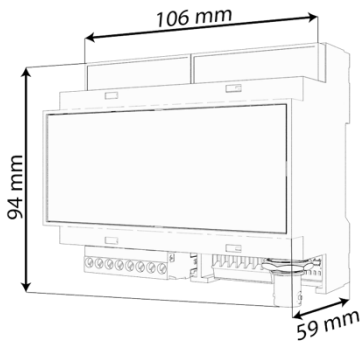
Simultaneous value of the measure, Temperature and Relay status. 2-line, 16 character Alphanumeric Display. Four control keys for instrument calibration and configuration.

Power supply

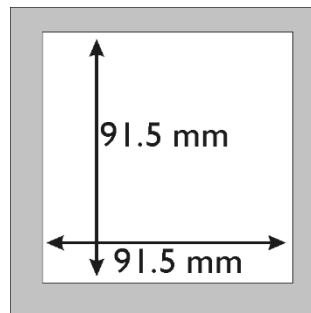
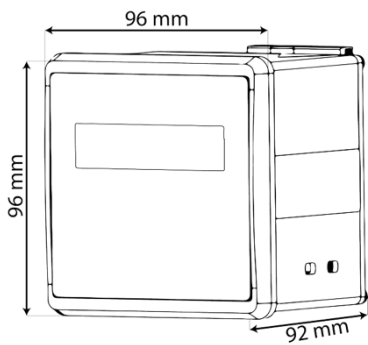
Power supply 24/115/230 VAC 50/60 Hz

DIMENSIONS

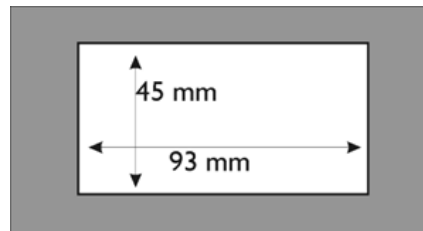
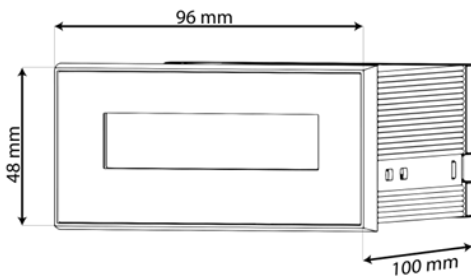
106 x 94 x 59 Din Rail IP40



96 x 96 x 92 IP65 Panel



48 x 96 x 100 Panel version IP40



144 x 144 x 90 Wall mounting IP65

