



TECHNICAL DATA

- Connections:
 - Fluid 3/4" ÷ 2"
 - Air 6 mm ÷ 12 mm
- Max air pressure: 8 Bar

The active Pulsation Dampener is the most efficient way to remove pressure variations on the discharge of the pump. DUOTEK pulsation dampener works actively with compressed air and diaphragm, automatically setting the correct pressure to minimize the pulsations. Pulsation dampeners require minimum maintenance and are, subject to requirements of the application, available in the same housing and diaphragm materials as the pump.

They are specifically designed for demanding applications in potentially explosive atmospheres (ATEX Certification):

- ATEX  Zone 2 in all versions: **EX II 3/3 GD c IIB T135°C**

model						
DAF	Damper					
type						
00	ATEX Zone 2					EX II 3/3 GD c IIB T135°C
series	max pressure [bar]	connection [BSP]		for pump model		
		fluid	air			
020	8	3/4"	6 mm	0003 - 0007 - 0018 - 0030 - 0055		
025	8	1"	8 mm	0060 - 0090 - 0100 - 0120		
040	8	1 1/2"	10 mm	0170 - 0252 - 0400		
050	8	2"	12 mm	0700 - 1000		
body material						
P	Polypropylene + Glass fiber					
K	PVDF + Carbon fiber					
S	SS316					
M	POMc					
AIR diaphragm						
H	Hytrel					
M	Santoprene					
						body material: K
FLUID diaphragm						
T	PTFE					

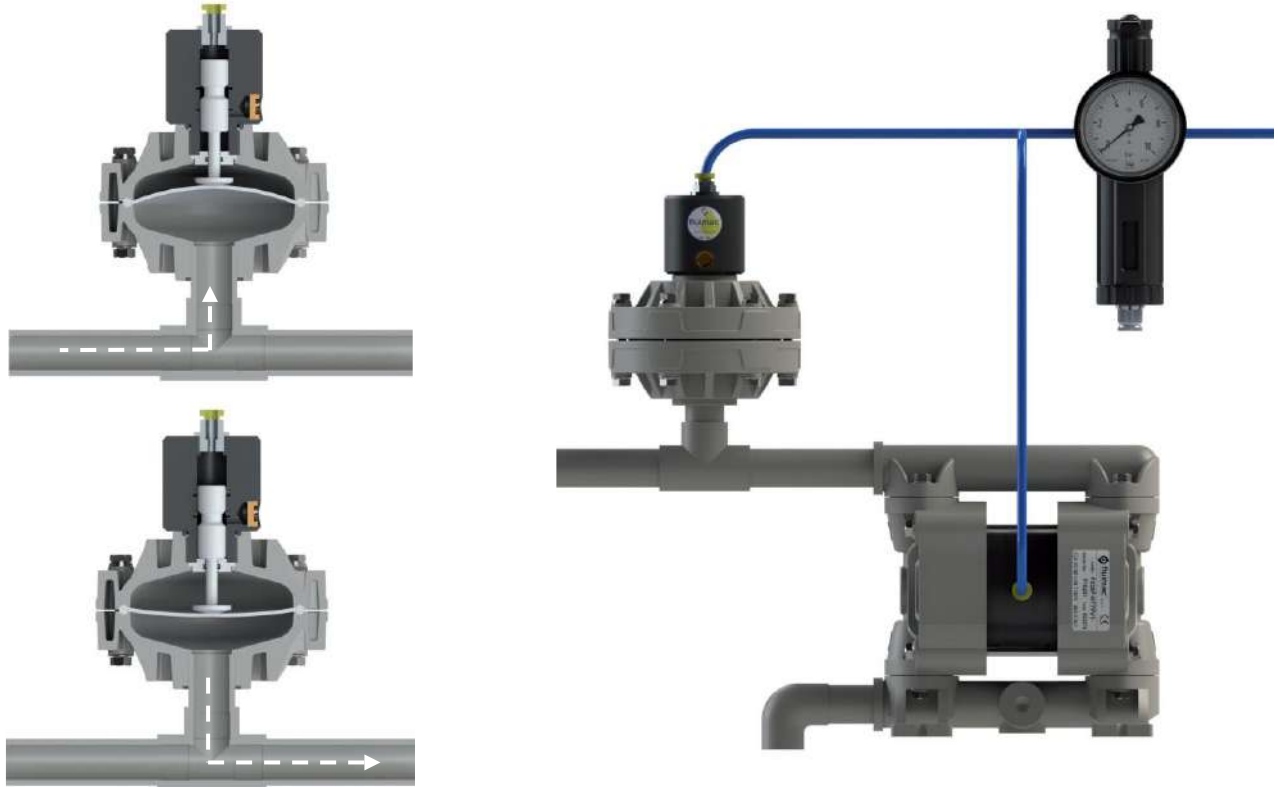
DAF	00	025	K	H	T
-----	----	-----	---	---	---

APPLICATION

- Metering / Injection / Dosing
- Equalizes discharge pressure spikes, increasing accuracy
- Filter press / Inline filters
- Increases filter efficiency and life by providing a smooth flow
- Spraying
- Smooth, consistent spray pattern
- Filling
- Eliminates inconsistent filling and splashing
- Transfer
- Eliminates harmful water hammer, preventing pipe and valve damage

HOW IT WORKS

the pulsating flow of the discharge forces the diaphragm upwards where it is cushioned by the air in the chamber. The flexing of the diaphragm absorbs the pulsation giving a smooth flow.



Significant Pulsation Reduction with an average 70% ÷ 80% pulsation reduction in high back pressure applications

DIMENSIONS (ALL materials)

DAF00020	DAF00025	DAF00040	DAF00050
PP PVDF POMc AISI 316	PP PVDF POMc AISI 316	PP PVDF POMc AISI 316	PP PVDF ALUMINIUM AISI 316